
NG1SM-510-M (ORDER NO. 079932)

Position switch NG.SM, aluminum rod

- ▶ Pivoted lever arm SM (aluminum rod)
- ▶ Cable entry M20 x 1.5



Description

Switching element

510 Snap-action switching contact 1 NC + 1 NO

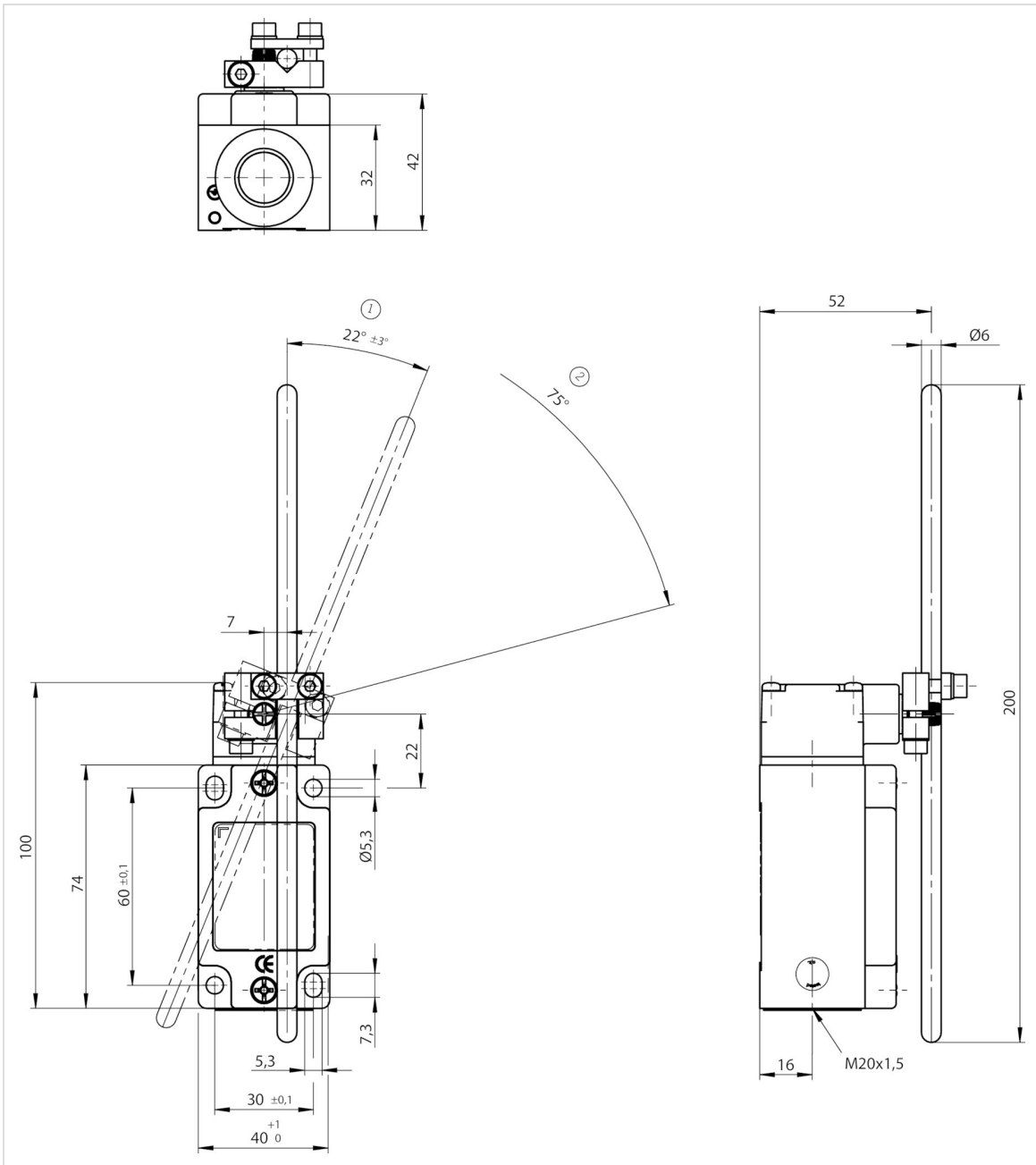
Adjustment options

Horizontal and vertical 4 x 90°

switching direction

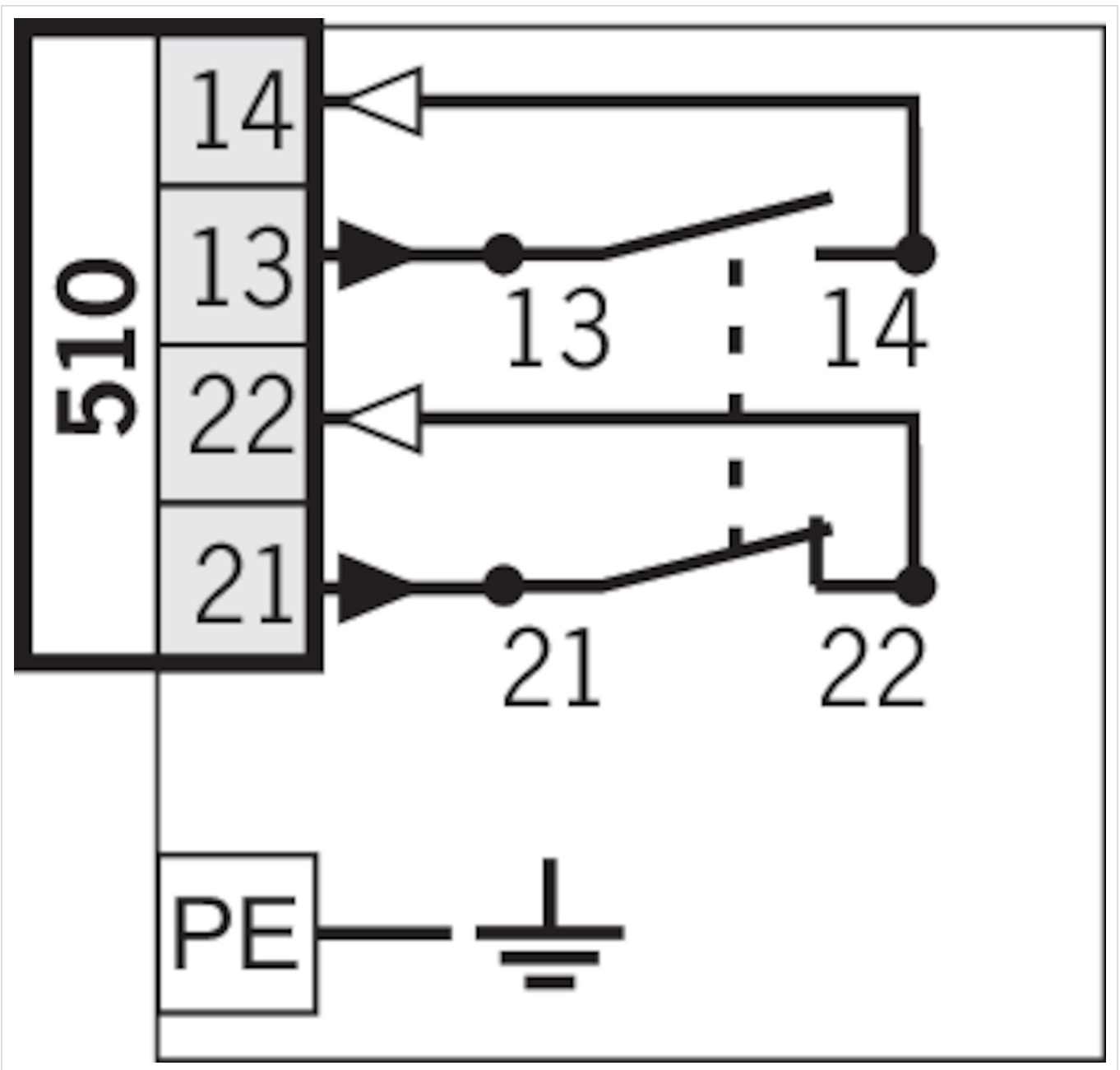
Switches to the right, left or both sides

Dimension drawing

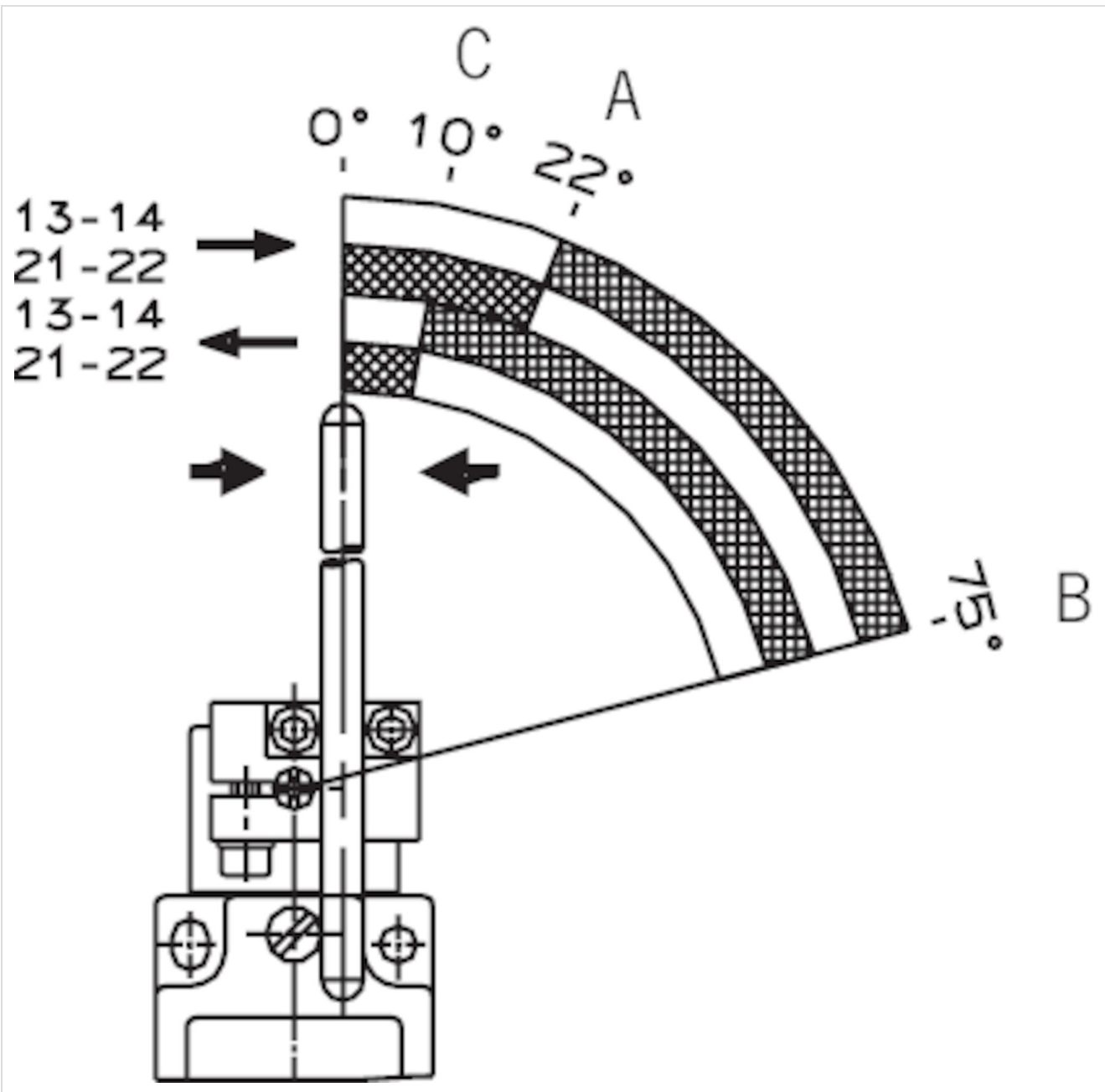



- 1 Operating point
- 2 Final position

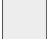
510



Travel diagram



 Contacts closed

 Contacts open

A Operating point

B End position

C Reset point

Technical data

Approvals



Mechanical values and environment

Housing material

	Housing	Anodized die-cast alloy
Weight	Net	0,3 kg
Ambient temperature		-25 ... 80 °C
Degree of protection		IP67
Mechanical life		30 x 10 ⁶
Contact material		Silver alloy, gold flashed
Switching principle		Snap-action switching contact
Installation orientation		Any
Number of door position NC contacts		1
Number of door position NO contacts		1
Connection	1 x	M20 x 1.5
Approach speed		0,5 ... 60 m/min
Actuating element		Pivoted lever arm (Aluminum rod)
Actuating force		min.15 N

Electrical connection ratings

Thermal rated current I _{th}		6 A
Utilization category acc. to EN 60947-5-1		
	AC-15	6A 230V
	DC-13	6A 24V
	AC-12	10A 230V
Short circuit protection according to IEC 60269-1		6A gG
Rated insulation voltage U _i		250 V
Rated impulse withstand voltage U _{imp}		2,5 kV
Switching current	Min. at DC 24V	10 mA
Connection cross-section		0,34 ... 1,5 mm ²

Accessories

Connection material

Cable glands M20x1.5, cable Ø 6.5-9.5 mm



077683
EKVM20/06

Cable glands M20x1.5, cable Ø 9-13 mm



077684
EKVM20/09

Contacts

🏠 EUCHNER GmbH + Co. KG
Kohlhammerstraße 16
70771 Leinfelden-Echterdingen

📞 +49 711 7597-0

📠 +49 711 753316

✉️ info(at)euchner.de